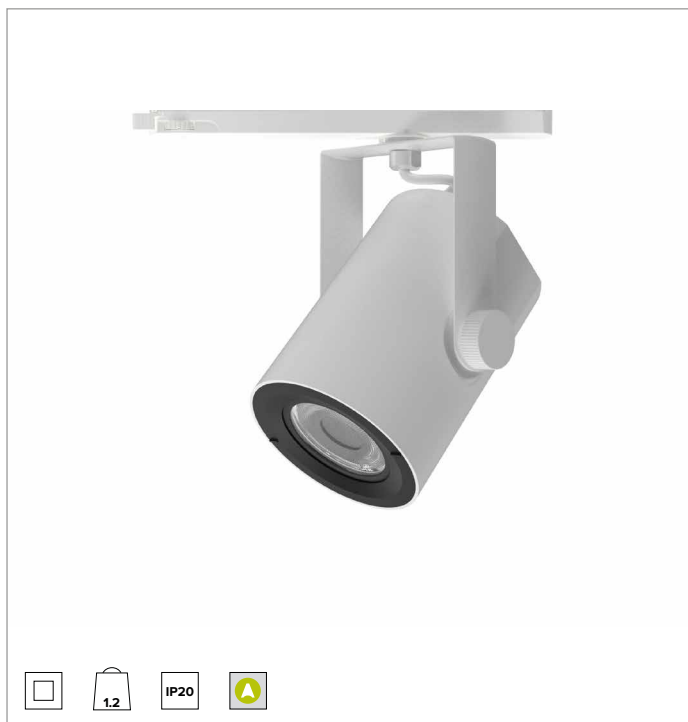
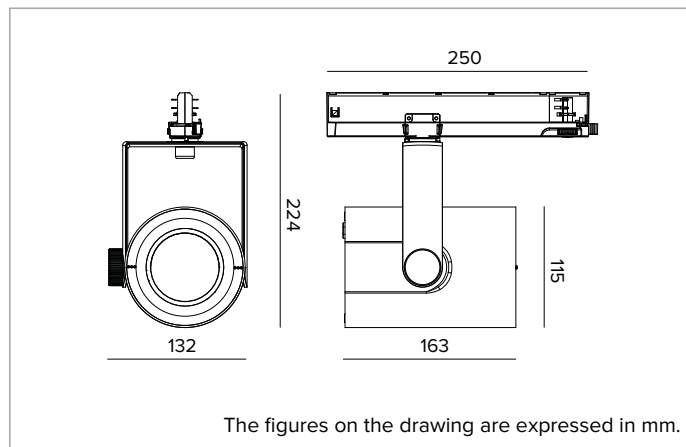


## T034DBS940CAPW | RAY 115 ZOOM

### Professional adjustable LED projector with a variable light beam opening



The fixture's photometric values can be found on the following pages



#### SOURCE

High efficiency Chip on Board LED Ra90. Ra97 on request.

**Energy efficiency class:** E

**Nominal power:** 22W

**Nominal flux:** 2910lm

**Colour rendering index:** 90

**Rf:** 90

**Rg:** 98

**CCT nominal:** 4000K

**Lifetime (L80/B10):** >50000h tq +25°C

#### ILLUMINOTECHNICAL CHARACTERISTICS

ZOOM DBS (Dynamic Beam Shaper) version: for a controlled zoom effect with CASAMBI. Optic with a PMMA TIR lens and a liquid crystal lens.

**Optic:** LENS

**Beam angles:** SP-WFL

**Optical efficiency:** See photometries

**Fixture flux:** See photometries

**Luminous efficacy:** See photometries

**Photobiological safety:** Compliant with RG1 low risk group

#### MECHANICAL CHARACTERISTICS

Painted die-cast aluminium body. Black painted polycarbonate front ring. Adjustable from 0° to -90° on the vertical plane and 359° on the horizontal plane. Mechanical beam locking system on the vertical plane and friction beam locking system on the horizontal plane. The centre of gravity always remains in axis with the track regardless of the aiming.

**Colour and finish:** Plaster white

**Dimensions:** 115

**Weight:** 1.2Kg

**Version:** DBS

**Degree of protection:** IP20

#### ELECTRICAL CHARACTERISTICS

CASAMBI electronic driver integrated into the track adapter.

**Fixture Power:** 25W

**Power supply:** 220-240Vac 50/60Hz

**Insulation Class:** CLASS 2

**Type of driver / Control:** CASAMBI

**Driver included:** YES

**Class F:** YES

**Ambient temperature:** 0°C / +25°C

#### INSTALLATION

Electrified track mounting.

#### NOTES

Commissioning of the control system via free APP; the intervention of a specialist technician can be quoted on request.

#### WARRANTY

5 years.

#### WARNING

Luminaire designed for disposal/recycling at end-of-life. Replaceable (LED only) light source by a professional. Replaceable control gear by a professional.

Due to the technological evolution of the electronic components, the data provided may be updated, and as such, confirmation must be requested during the order process.

Luminous flux and power supply have +/-10% tolerances with respect to the indicated value. tq +25°C (CIE 121).

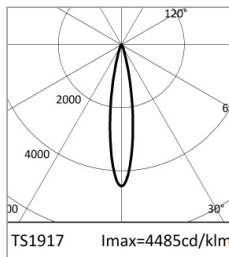
We reserve the right to make technical changes.

Targetti Sankey S.r.l.  
Via Pratese, 164  
50145 Firenze - Italy  
Tel: +39 055 37911  
targetti.com  
targetti@targetti.com

CCIAA Firenze  
Share Capital:  
€ 500.000,00  
VAT N. (IT):  
01537660480  
R.E.A: FI-275656

**TARGETTI**

**T034DBS940CAPW | RAY 115 ZOOM**  
**Professional adjustable LED projector with a variable light beam opening**



	4000K	H(m)	D(m)	Emax(lx)		
	Ra90		18°			
Fixture Power	25W	1	0.32	13052		
Source Flux	2910lm	2	0.64	3263		
Fixture Flux	1882lm	3	0.97	1450		
Efficacy	76lm/W	4	1.29	816		
TS1917	I <sub>max</sub> =4485cd/klm	I <sub>max</sub>	13052cd	5	1.61	522



	4000K	H(m)	D(m)	Emax(lx)		
	Ra90		53°			
Fixture Power	25W	1	1.00	1632		
Source Flux	2910lm	2	1.99	408		
Fixture Flux	1750lm	3	2.99	181		
Efficacy	70lm/W	4	3.99	102		
TS1916	I <sub>max</sub> =561cd/klm	I <sub>max</sub>	1632cd	5	4.99	65

**SP**

Fixture flux 1882lm  
 Luminous efficacy 76lm/W  
 Optical efficiency 65%

**FL**

Fixture flux 1750lm  
 Luminous efficacy 71lm/W  
 Optical efficiency 60%

Due to the technological evolution of the electronic components, the data provided may be updated, and as such, confirmation must be requested during the order process. Luminous flux and power supply have +/-10% tolerances with respect to the indicated value. tq +25°C (CIE 121).

Targetti Sankey S.r.l.  
 Via Pratese, 164  
 50145 Firenze - Italy  
 Tel: +39 055 37911  
 targetti.com  
 targetti@targetti.com

CCIAA Firenze  
 Share Capital:  
 € 500.000,00  
 VAT N. (IT):  
 01537660480  
 R.E.A.: FI-275656



We reserve the right to make technical changes.